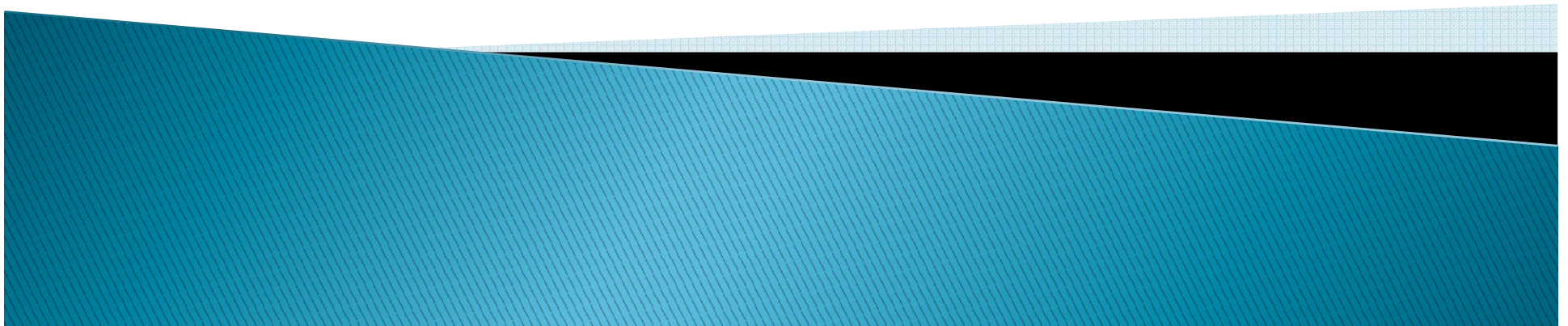


Orthographic Projection

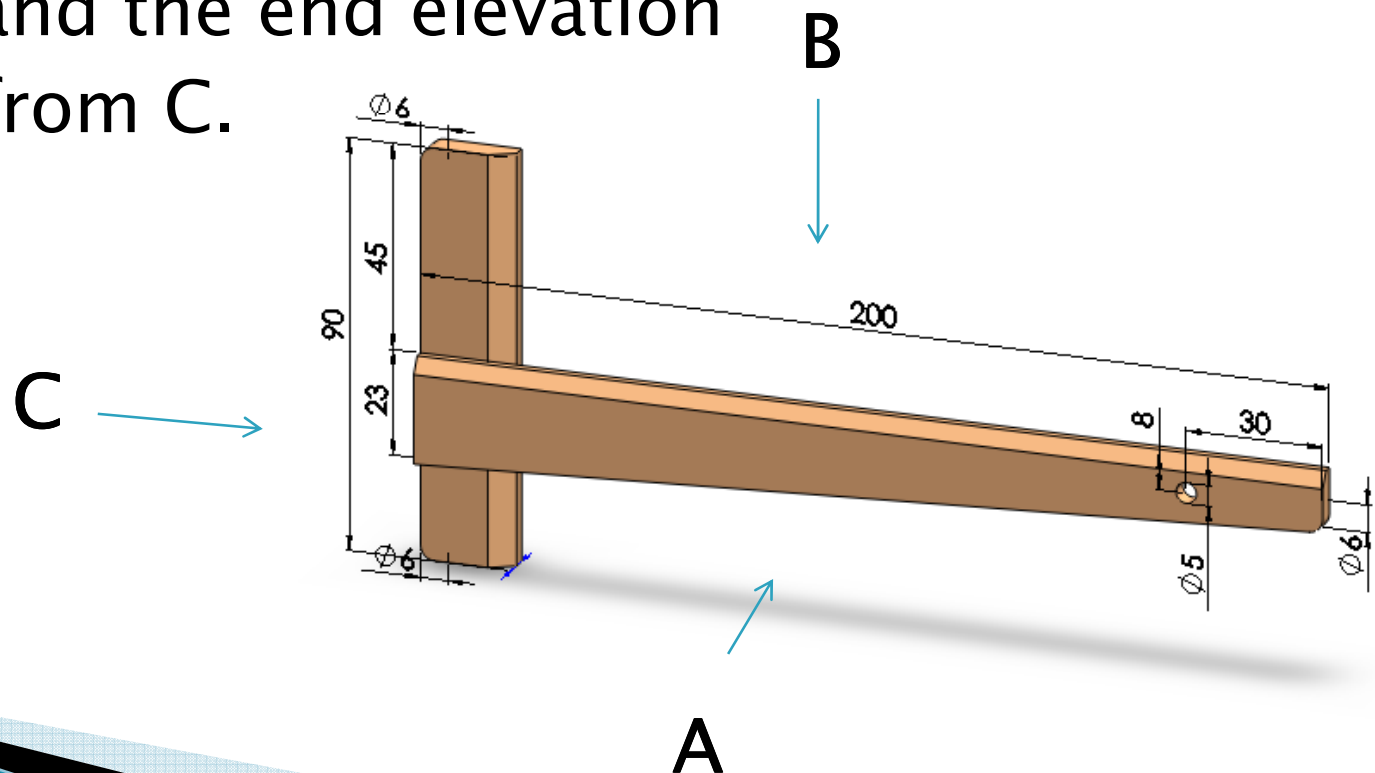
Practice Questions



Question 1

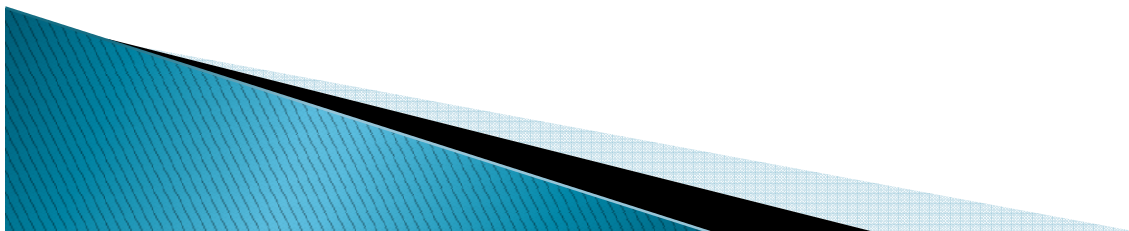
- ▶ Draw the elevation, plan and end elevation of the T - Square with the elevation looking in the direction of arrow A, the plan looking along B and the end elevation looking from C.

Both chamfer on the T - Square are at 60 degrees and 2mm away from the edge.

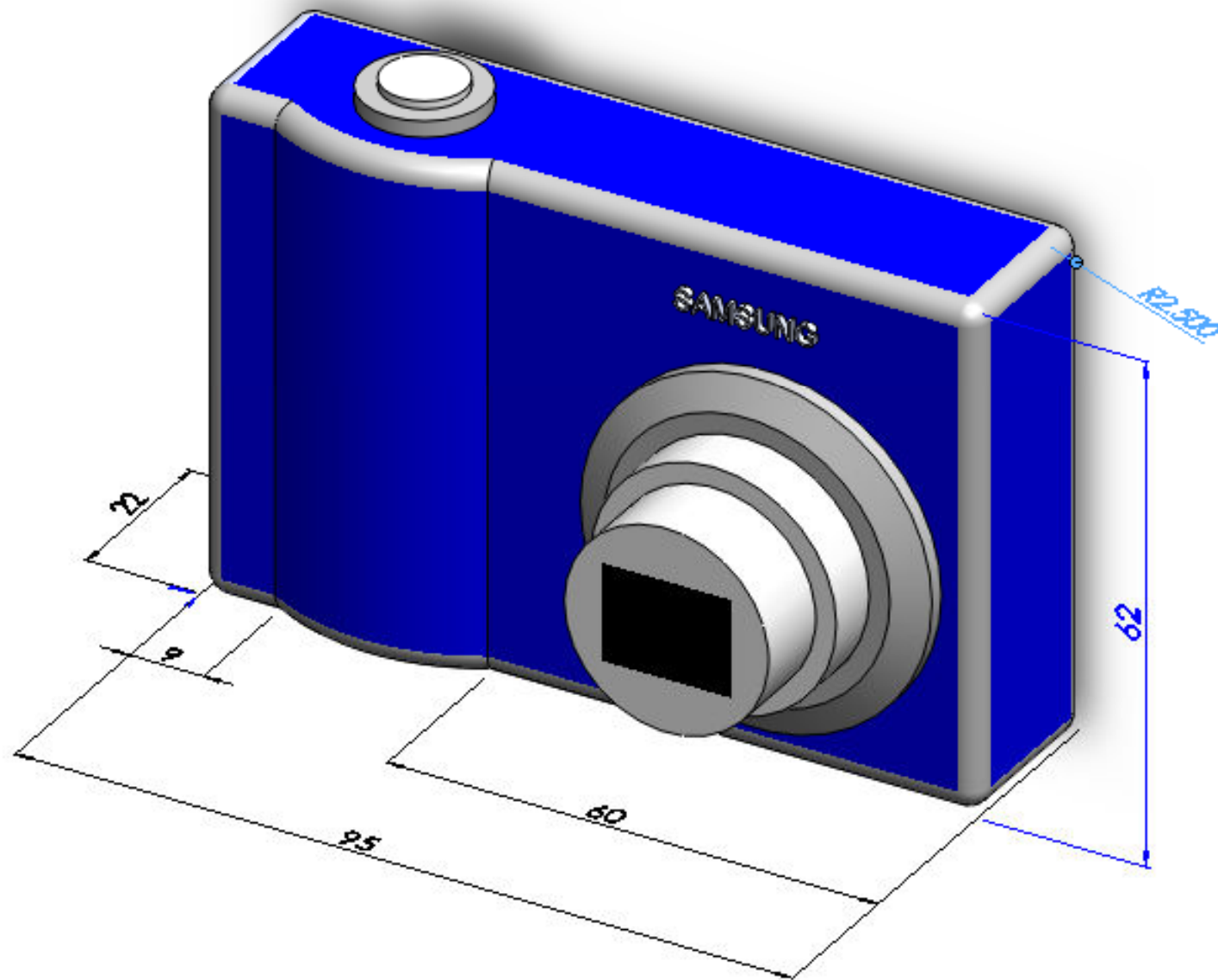


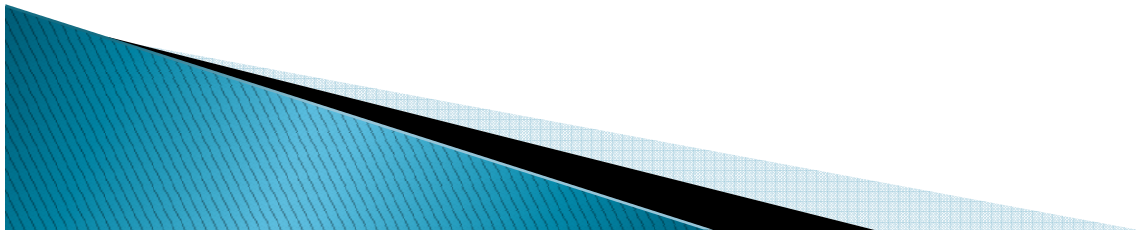
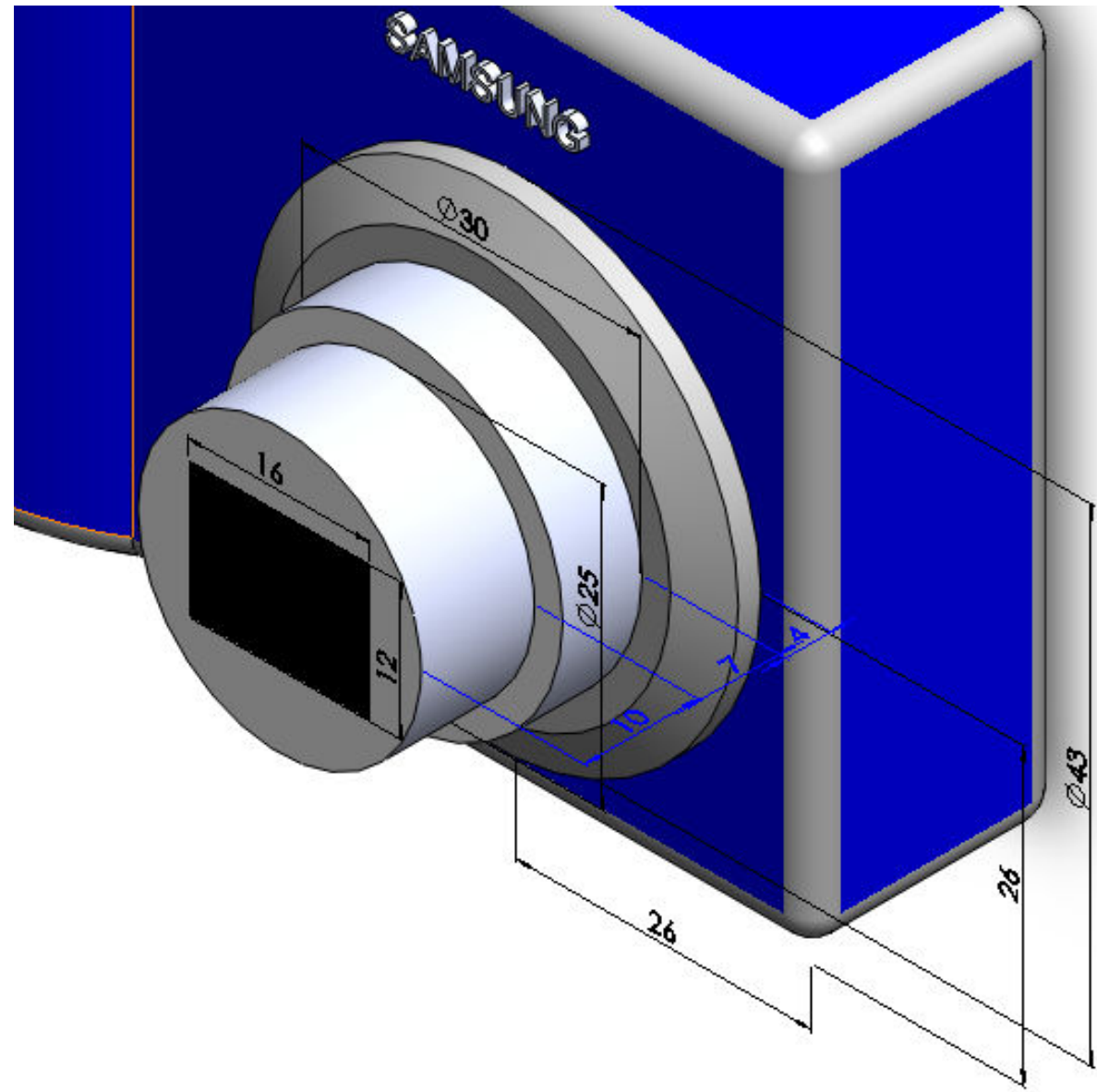
Question 2

- ▶ Draw the elevation, plan and end elevation of the camera on the next slide. You must decide which face of the camera is projected onto each plane.
- ▶ All un-dimensioned radii are radius 2.5mm while the chamfers are at 60 degrees.
- ▶ Start by drawing the outline of the camera in the three views and then focus in on the lens.



Question 2





Question 3

- ▶ Design your own button which you think best suits the camera and represent your choice by drawing your design into the three principal views.

