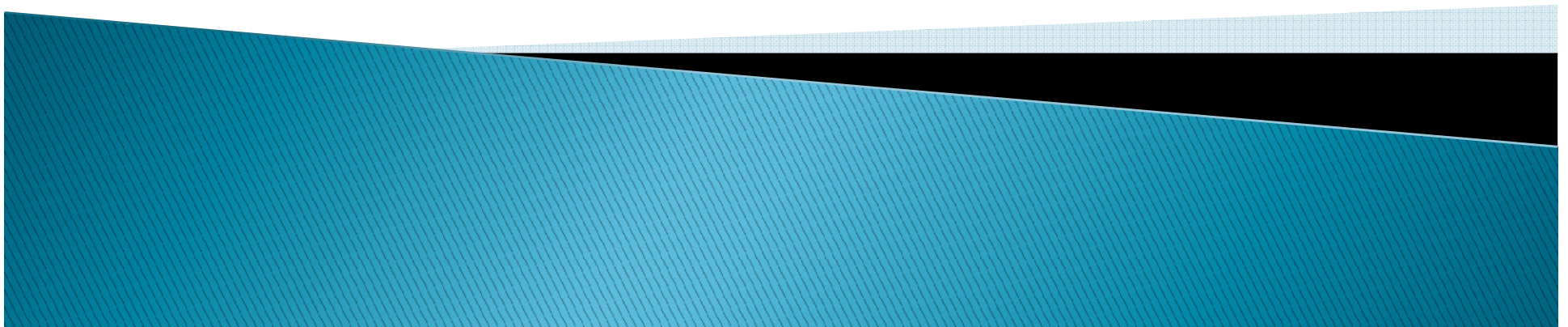


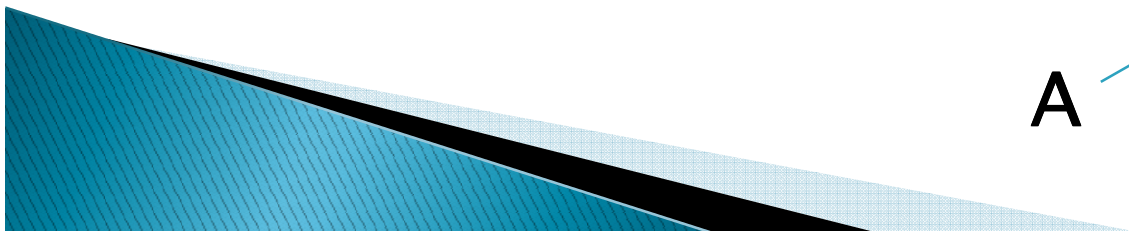
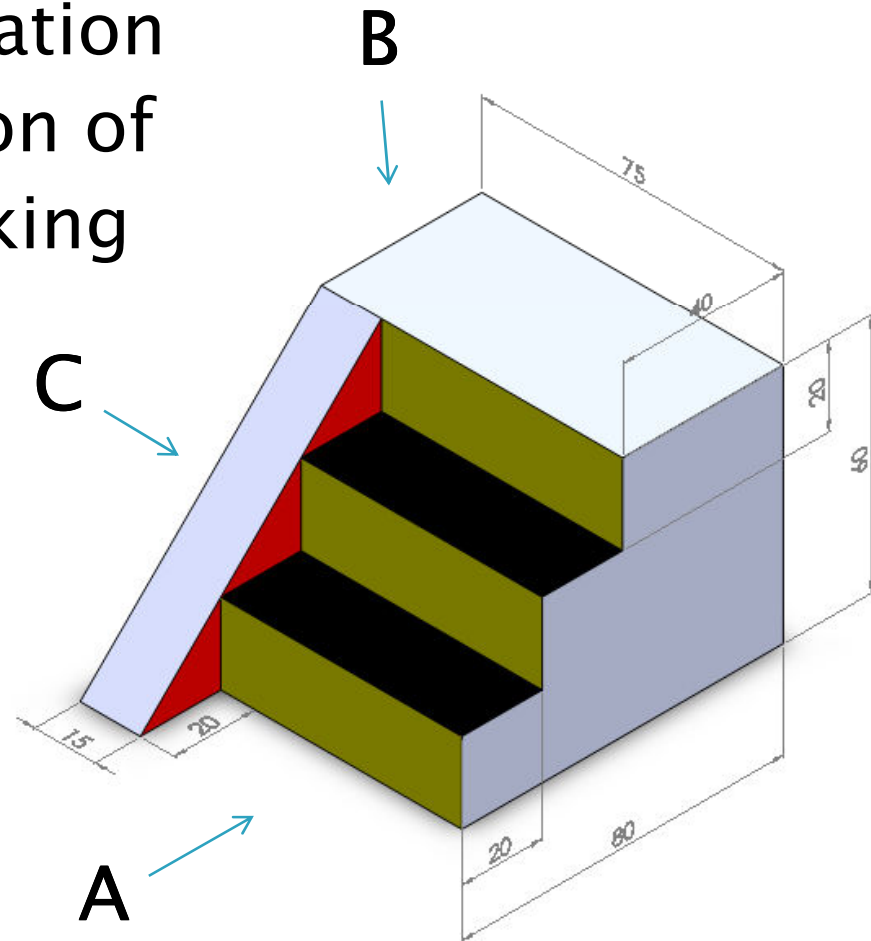
Orthographic Projection

Inclined Surfaces & Hidden Detail



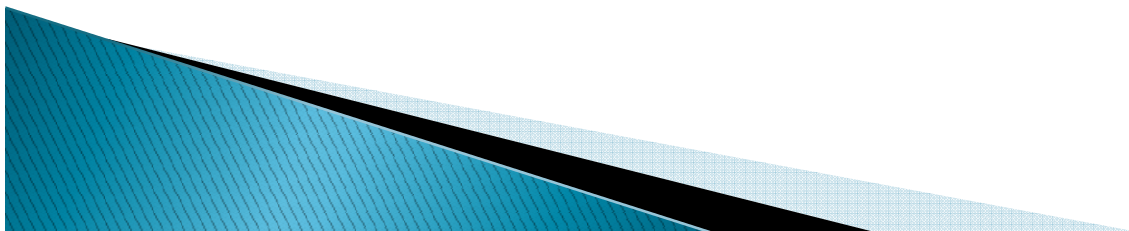
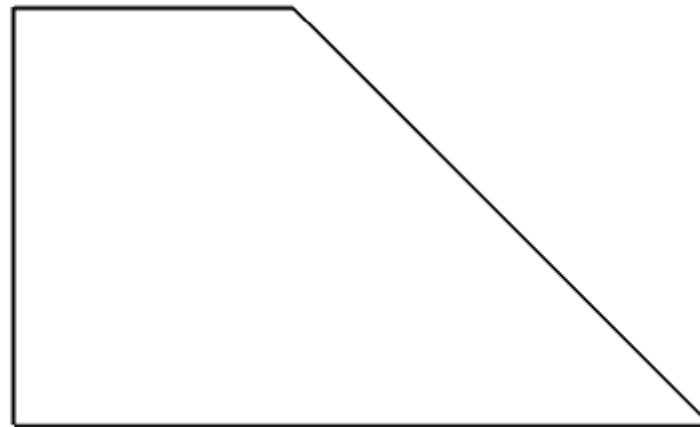
Question 1

- ▶ Draw the three orthographic views of this set of steps with the elevation looking in the direction of arrow A, the plan looking from B and the end elevation looking from C.



Question 1

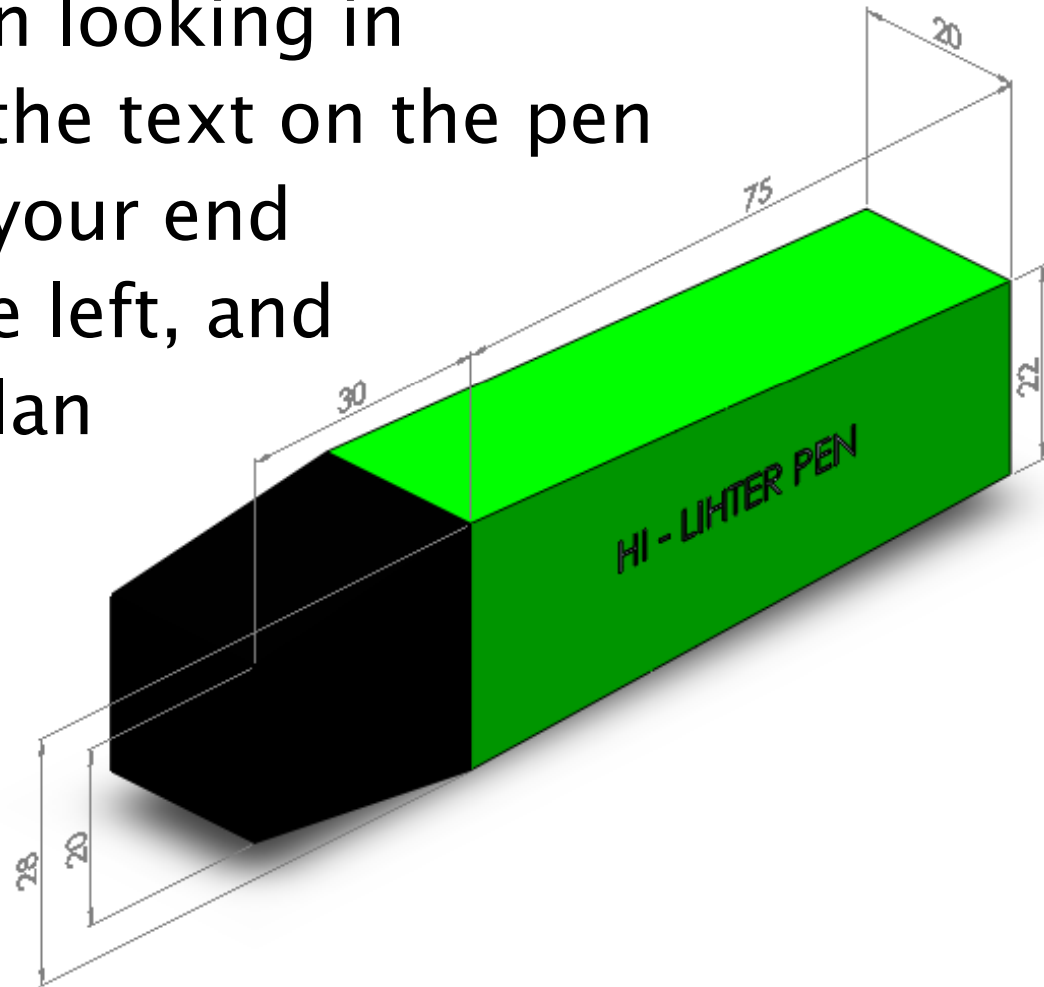
HINT: This is what the end elevation will look like without the hidden detail. Find the hidden detail.



Question 2

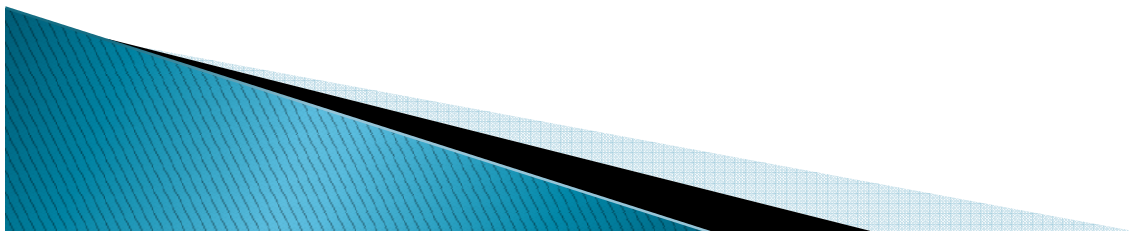
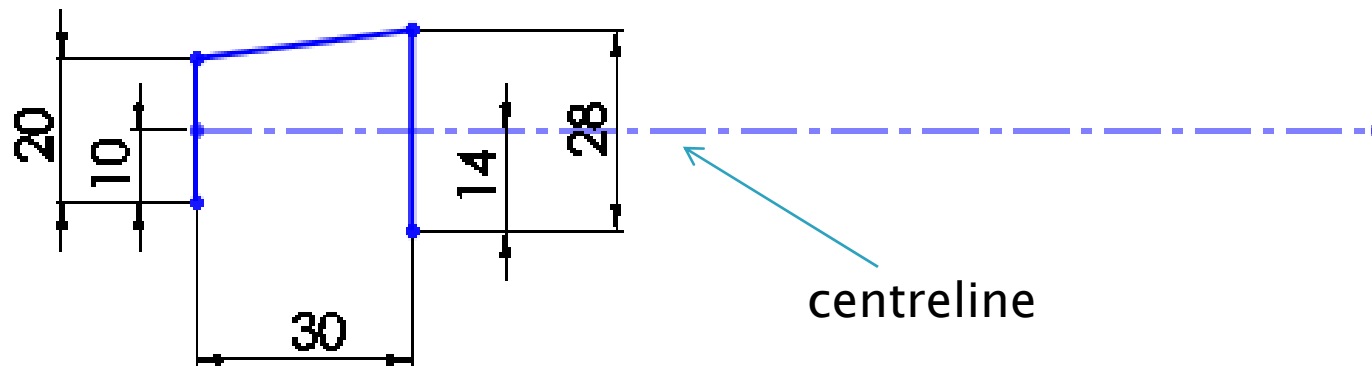
- ▶ Draw the Elevation looking in perpendicular to the text on the pen and then project your end elevation from the left, and hence project a plan from this.

There is also hidden detail in this question!



Question 2

HINT: start with a centreline for the elevation like below.



Question 3

- ▶ Create a sketch of the hi-lighter pen in relation to the planes of reference. Use a series of sketches to display the process of orthographic projection.

Hint: Video.

