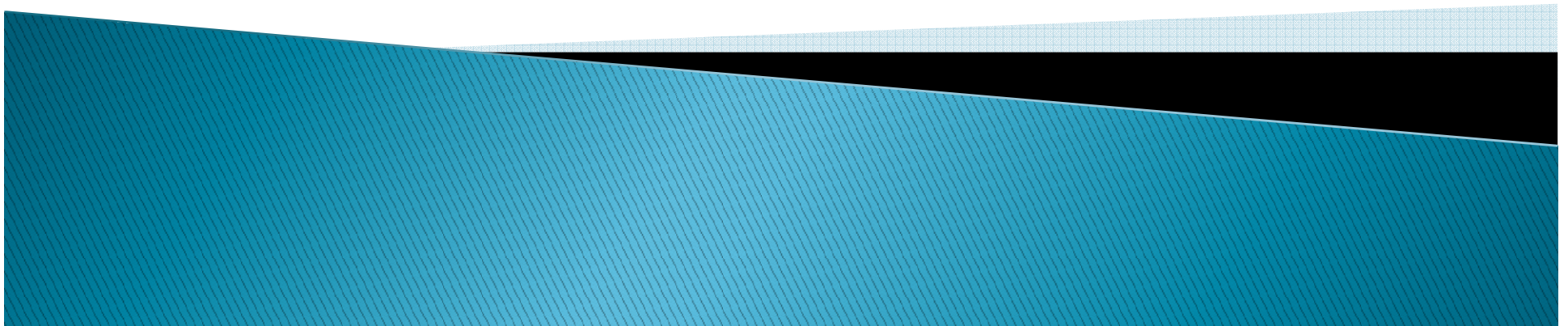


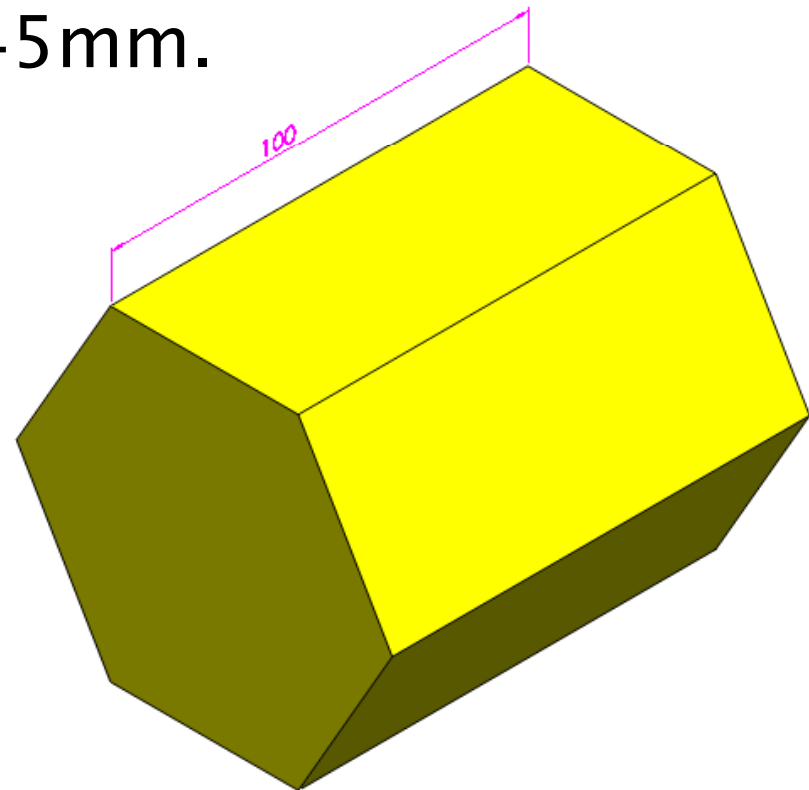
Developments

Complex Objects



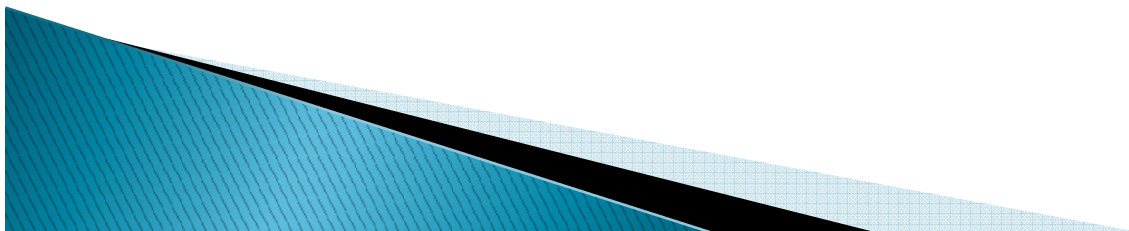
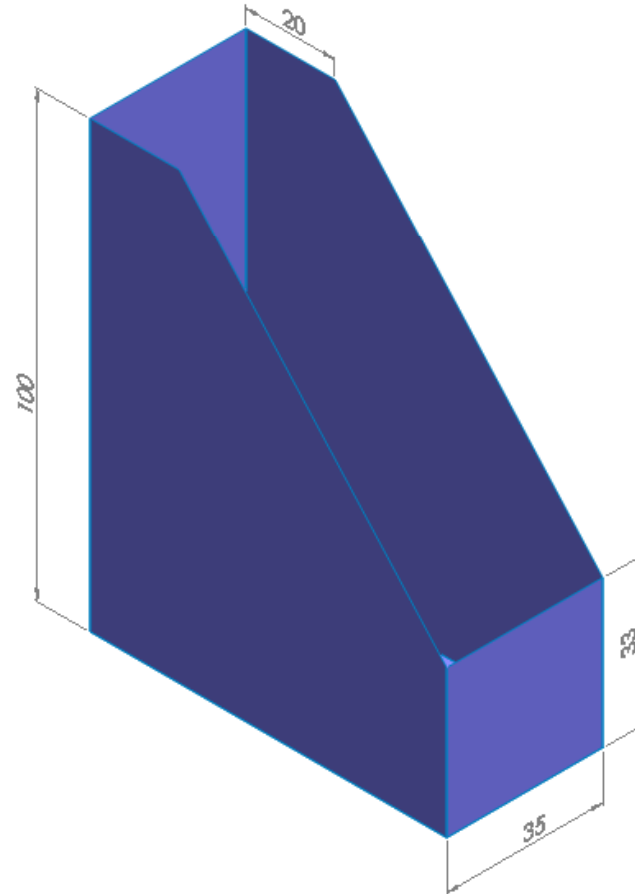
Question 1

- ▶ Draw the elevation and plan of the hexagonal prism and develop it out flat showing the true shape of all the surfaces. The hexagon face has an edge length of 45mm.



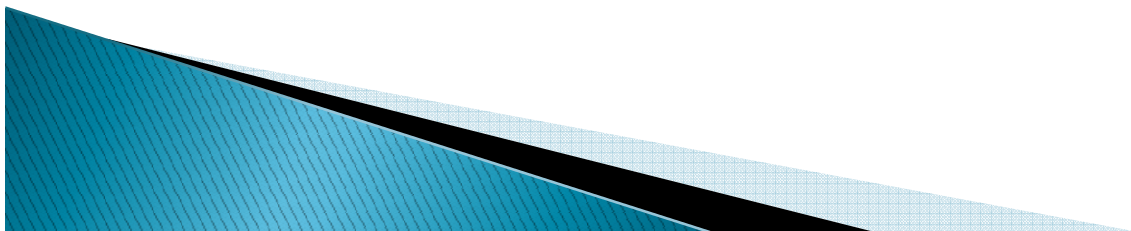
Question 2

- ▶ Draw the elevation and plan of the file holder and then construct a development of the surfaces.



Question 3

- ▶ Cut out question 1 using a scissors and, using tape, tape the sides of the hexagonal prism together to represent the 3 Dimensional image displayed in question 1.



Question 4

- ▶ Create a series of sketches that illustrate the sides folding out flat using the file holder as an example. Use sketches to show how to find the true length of a line.

